



# NETAPP NS0-176 STUDY GUIDE PDF

---

**NetApp FlexPod Implementation and Administration Certification  
Questions & Answers**

**[Details of the Exam-Syllabus-Questions](#)**

**NS0-176**

**[Cisco and NetApp FlexPod Implementation and Administration](#)**

**60 Questions Exam – 68% Cut Score – Duration of 60 minutes**

---

## Table of Contents:

Get an Overview of the NS0-176 Certification: .....	2
Why Should You Earn the NetApp NS0-176 Certification?.....	2
What Is the NetApp NS0-176 FlexPod Implementation and Administration Certification Exam Structure?.....	2
Enhance Knowledge with NS0-176 Sample Questions: .....	3
What Study Guide Works Best in Acing the NetApp NS0-176 FlexPod Implementation and Administration Certification?.....	8
Explore the Syllabus Topics and Learn from the Core: .....	8
Make Your Schedule: .....	8
Get Expert Advice from the Training: .....	9
Get Access to the PDF Sample Questions: .....	9
Avoid Dumps and Utilize the NetApp NS0-176 Practice Test: .....	9

## Get an Overview of the NS0-176 Certification:

Who should take the [NS0-176 exam](#)? This is the first question that comes to a candidate's mind when preparing for the FlexPod Implementation and Administration certification. The NS0-176 certification is suitable for candidates who are keen to earn knowledge on the Converged Infrastructure and grab their Cisco and NetApp FlexPod Implementation and Administration. When it is about starting the preparation, most candidates get confused regarding the study materials and study approach. But NS0-176 study guide PDF is here to solve the problem. NS0-176 PDF combines some effective sample questions and offers valuable tips to pass the exam with ease.

## Why Should You Earn the NetApp NS0-176 Certification?

There are several reasons why one should grab the NS0-176 certification.

- The FlexPod Implementation and Administration certification proves to be one of the most recognized certifications.
- The certification badge proves the knowledge of the candidate regarding subject matters and makes his resume presentable to potential candidates.
- Thus earning the [Cisco and NetApp FlexPod Implementation and Administration](#) is a powerful qualification for a prosperous career.

## What Is the NetApp NS0-176 FlexPod Implementation and Administration Certification Exam Structure?

Exam Name	Cisco and NetApp FlexPod Implementation and Administration
Exam Number	NS0-176 FlexPod
Exam Price	\$150 USD
Duration	60 minutes
Number of Questions	60

Passing Score	68%
Exam Registration	<a href="#">PEARSON VUE</a>
Sample Questions	<a href="#">NetApp NS0-176 Sample Questions</a>
Practice Exam	<a href="#">Cisco and NetApp FlexPod Implementation and Administration Practice Test</a>

## Enhance Knowledge with NS0-176 Sample Questions:

### Question: 1

You currently have a FlexPod Datacenter solution, and you are merging with another company.

That company's environment currently has a mix of different Cisco servers. You want to add as many of those servers to your FlexPod solution as possible.

In this scenario, which two Cisco servers are supported in a FlexPod environment?  
(Choose two.)

- a) HX240c Edge M5
- b) C480 ML M5
- c) S3260 M5
- d) B200 M5

**Answer: b, d**

### Question: 2

A customer with several large Cisco MDS 9718 switches wants to reduce the number of total zones and the number of commands required to add devices, while still adhering to best practices.

In this scenario, which two configurations should be implemented?

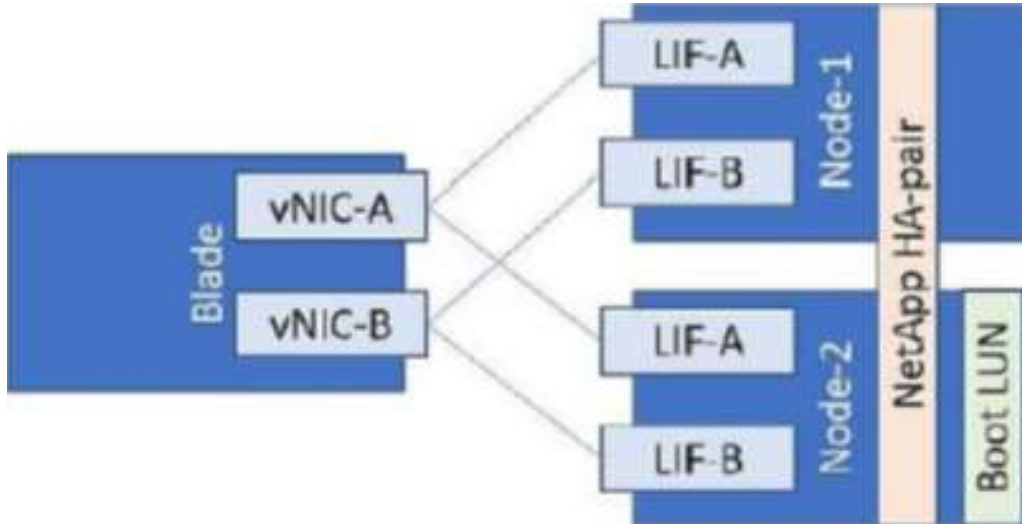
(Choose two.)

- a) Use the zone convert command to migrate existing zones.
- b) Enable SMART Zoning for new VSANs.
- c) Use the zone copy command to migrate existing zones.
- d) Disable SMART Zoning for new VSANs.

**Answer: a, b**

**Question: 3**

Exhibit:



You are configuring iSCSI boot from SAN on your UCS blades. Referring to the exhibit, how many paths will there be to the Boot LUN?

- a) 2
- b) 4
- c) 6
- d) 8

**Answer: b**

**Question: 4**

A customer wants to reuse existing networking equipment that was pulled from another data center for a new FlexPod Datacenter solution. They want to know if their switch models are supported.

In this scenario, which two switch models will accomplish this task?

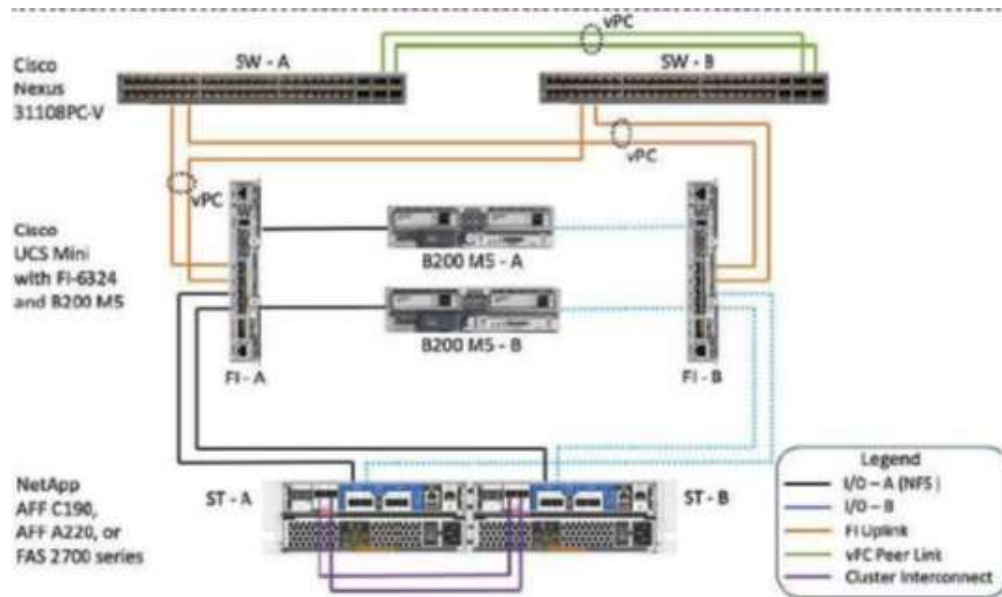
(Choose two.)

- a) Cisco Catalyst 6504
- b) Cisco Catalyst 9300-48P
- c) Cisco Nexus 9396PX
- d) Cisco MDS 9250i

**Answer: c, d**

**Question: 5**

Exhibit:



Your customer has a FlexPod VMware solution deployed with NFS datastores. As shown in the exhibit, the links between the Fabric Interconnects and storage controllers are single-mode interface groups with autorevert set to true, hosting a single access LIF. NFS I/O is currently going through fabric A to ST-A. The customer wants to use both fabrics for NFS I/O. In this scenario, what will accomplish this task?

- a) Configure VMware hosts to use a new datastore with an NFS LIF on ST-B connected to fabric B.
- b) Migrate the existing LIF that is used for NFS I/O on ST-A to its HA partner ST-B.
- c) Add two physical links between SW-A and SW-B.
- d) Configure VMware hosts to utilize an NFS LIF on ST-B that is connected to fabric A.

**Answer: a**

**Question: 6**

Your company has acquired a new NetApp EF600 storage array with a 25 Gbps HIC. In this scenario, which FlexPod-supported protocol should be used to connect to this array?

- a) NFS
- b) iSCSI
- c) FC
- d) SMB

**Answer: b****Question: 7**

A customer uses Cisco Intersight and now wants to monitor their NetApp storage system with Intersight. In this scenario, which three actions must be completed to accomplish this task?

(Choose three.)

- a) Activate the API Gateway in Active IQ Unified Manager.
- b) Get an Intersight Essentials tier license.
- c) Activate the API Gateway in ONTAP System Manager.
- d) Get an Intersight Advantage tier license.
- e) Deploy Active IQ Unified Manager.

**Answer: a, d, e****Question: 8**

You are installing a FlexPod Express solution with a NetApp AFF A250 at a customer's remote site. In this scenario, which two devices are required to provide an NFS v3 datastore?

(Choose two.)

- a) Cisco UCS 6324 Fabric Interconnects
- b) Cisco Nexus 3000 Switches
- c) NetApp BES-53248 Switches
- d) Cisco UCS 6454 Fabric Interconnects

**Answer: a, b****Question: 9**

Which three elements are included in a UCS service profile?

(Choose three.)

- a) firmware revisions
- b) volume layout
- c) switch configuration
- d) server definition
- e) identity information

**Answer: a, d, e**





**Question: 10**

Which two NetApp storage solutions are supported in FlexPod solutions?

(Choose two.)

- a) ONTAP Select
- b) NetApp AFF
- c) NetApp E-Series
- d) NetApp StorageGRID

**Answer: b, c**

## What Study Guide Works Best in Acing the NetApp NS0-176 FlexPod Implementation and Administration Certification?

The NS0-176 study guide is a combination of some proven study tips and the combination of all valuable study materials like sample questions, syllabus and practice tests in one place.

### Explore the Syllabus Topics and Learn from the Core:

If you are determined to earn success in the FlexPod Implementation and Administration exam, getting in full touch of the [syllabus](#) is mandatory. During preparation, you might not like all syllabus sections or topics, but try to get at least the fundamental knowledge from the sections you don't like. The more you possess knowledge on all syllabus sections, the more is the chance to attempt maximum number of questions during the actual exam.

### Make Your Schedule:

Studying and completing the syllabus becomes easier, if you work on the syllabus topics after making a schedule. Your syllabus must mention what areas you want to cover and within what time. Once you make a schedule and follow it regularly, syllabus completion becomes easier and preparation becomes smoother.

## Get Expert Advice from the Training:

Do not forget to join the NetApp NS0-176 training if it is providing any. Training enhances the practical knowledge of a candidate, which helps them to work well in the practical field during projects.

## Get Access to the PDF Sample Questions:

If your study material is in a [PDF format](#) or the materials are mobile-friendly, what could be better than that? Get access to the free sample questions and keep enhancing your knowledge beyond the syllabus.

## Avoid Dumps and Utilize the NetApp NS0-176 Practice Test:

Why should you rely on practice tests? The reason is simple: you must get familiar with the exam pattern before reaching the exam hall. An aspirant aware of the exam structure and time management during the exam preparation can perform well in the actual exam and attempt the maximum number of questions during the exam.

Many aspirants prefer to read from dumps, but they miss out on the self assessment method. Therefore, NS0-176 practice tests always stand out to be the better choice than dumps PDF.

## Avail the Proven NS0-176 Practice Test for Success!!!

Do you want to pass the NS0-176 exam on your first attempt? Stop worrying; we, NWExam.com are here to provide you the best experience during your Cisco and NetApp FlexPod Implementation and Administration preparation. Try out our free mock tests to get a glimpse of our quality study materials, and build your confidence with the premium [NS0-176 practice tests](#). Our expert-designed questions help you to improve performance and pass the exam on your first attempt.